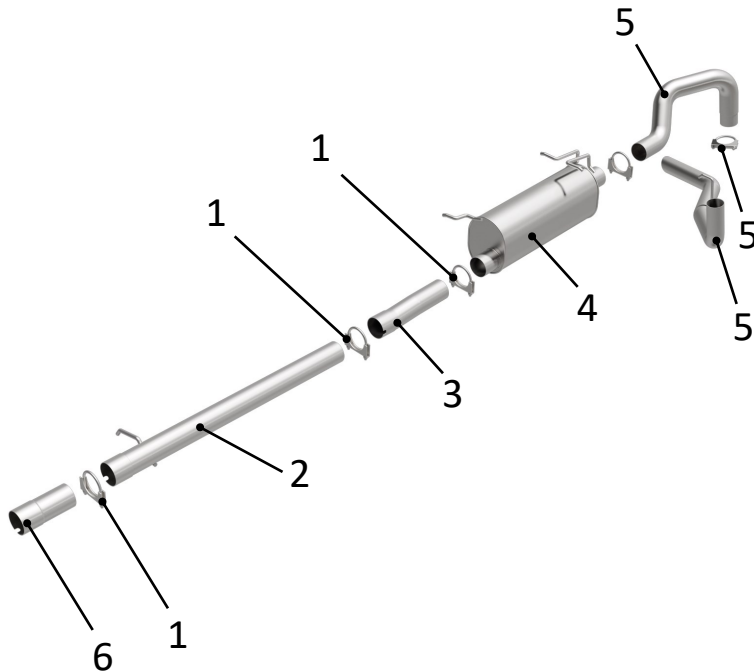


BRExhaust™

A **MAGNAFLOW** GROUP COMPANY

INSTALLATION INSTRUCTIONS | PART NO. 106-0007



STEP 1:

(Carefully read all instructions before installation) Disconnect the vehicle's battery before removal of the OEM exhaust system. This will prevent electrical accidents and will reset the computer if it applies to the vehicle. Remove existing exhaust system from the vehicle. Only remove parts that will be replaced.

STEP 2:

Begin installation by attaching item 4 to currently installed isolators.

STEP 3:

Slide item 2 or 6 on currently installed exhaust and attach to isolator.

STEP 3a:

Item 2 is cut to length for 156" WB

STEP 3b:

Discard for 137" wheel base

STEP 3c:

Use item 6 instead of item 2 for 142" WB

STEP 4:

Connect item 2/6 and 4 with item 3.

STEP 5:

Slide inlet piece of item 5 into item 4.

STEP 6:

Place item 1 on all slip fit joints.

STEP 7:

Ensure new exhaust is not contacting any portion of the underbody of the vehicle or drivetrain.

STEP 8:

Tighten all clamps starting from rear of the vehicle. (DO NOT EXCEED 30FT-LB WHEN TIGHTENING CLAMP AND CHECK ALL CLAMPS AFTER 50 MILES. RETIGHTEN IF NECESSARY)

STEP 9:

Attach outlet of item 5 to inlet of item 5 and adjust angle to desired position.

STEP 10:

Install and tighten clamp provided with item 5. (DO NOT EXCEED 30FT-LB WHEN TIGHTENING CLAMP AND CHECK ALL CLAMPS AFTER 50 MILES. RETIGHTEN IF NECESSARY)

WARNING:

When working on, under, or around any vehicle exercise caution. Please allow the vehicle's exhaust system to cool before removal, as exhaust temperatures may cause severe burns. If working without a lift, always consult vehicle manual for correct lifting specifications. Always wear safety glasses and ensure a safe work area. Serious injury or death could occur if safety measures are not followed.



BRExhaust recommends
professional installation
for all products

Technical Support: 1-800-631-7271

BRExhaust — 1901 Corporate Ctr, Oceanside, CA 92056

www.brexhaust.com

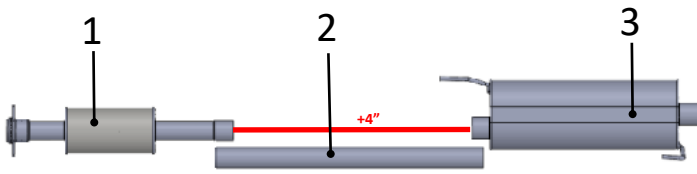
BRExhaust™

A **MAGNAFLOW** GROUP COMPANY

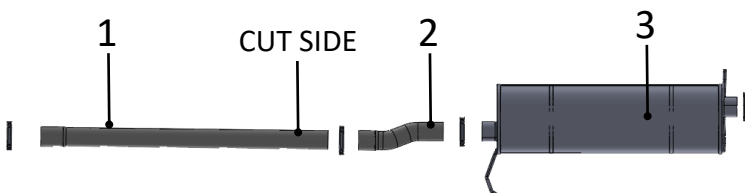
CUT TO FIT INSTALLATION INSTRUCTIONS

DESIGN TABLE

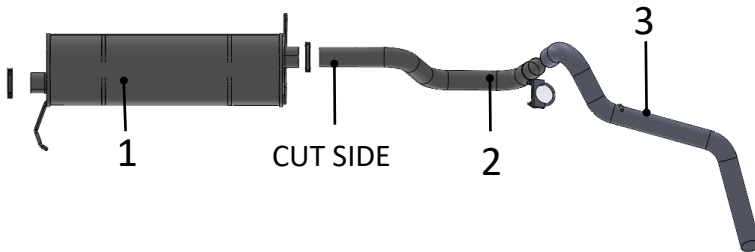
DESIGN STYLE 1: CUT TO FIT INTERMEDIATE PIPE



DESIGN STYLE 2: CUT TO FIT INLET



DESIGN STYLE 3: CUT TO FIT TAIL PIPE



MATCH PURCHASED KIT'S CUT TO FIT DESIGN TO GRAPHIC IN DESIGN TABLE

DESIGN STYLE 1

STEP 1:

Attach item 1 to existing exhaust

STEP 2:

Attach item 3 to existing isolators

STEP 3:

Cut item 2 4" longer than the distance between the installed parts, this will allow for a 2" overlap for each slip fit (**cutting part too short will increase likelihood of leaks**)

DESIGN STYLE 2

STEP 1:

Attach item 3 to existing isolators

STEP 2:

Attach item 2 to item 3

STEP 3:

Cut item 2 2" longer than the distance between item 2 and OEM part, this will allow for a 2" overlap (**cutting part too short will increase likelihood of leaks**)

DESIGN STYLE 3

STEP 1:

Attach item 1 to existing isolators

STEP 2:

Attach item 3 to existing isolators

WARNING:

When working on, under, or around any vehicle exercise caution. Please allow the vehicle's exhaust system to cool before removal, as exhaust temperatures may cause severe burns. If working without a lift, always consult vehicle manual for correct lifting specifications. Always wear safety glasses and ensure a safe work area. Serious injury or death could occur if safety measures are not followed.



BRExhaust recommends professional installation for all products

Technical Support: 1-800-631-7271

BRExhaust — 1901 Corporate Ctr, Oceanside, CA 92056

www.brexhaust.com