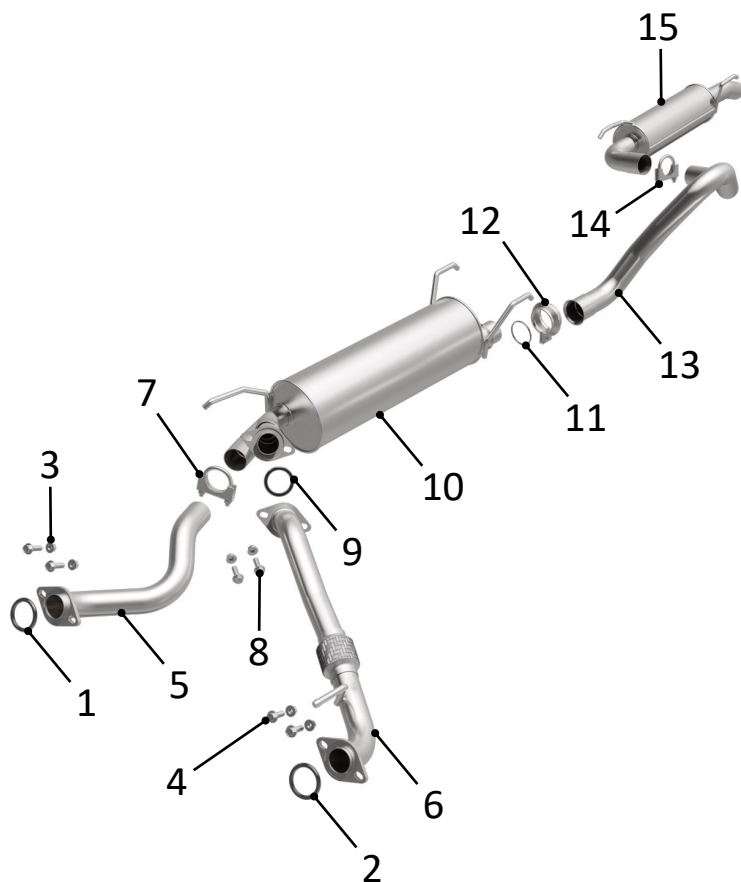


BRExhaust™

A **MAGNAFLOW** GROUP COMPANY

INSTALLATION INSTRUCTIONS | PART NO. 106-0176



STEP 1:

(Carefully read all instructions before installation) Disconnect the vehicle's battery before removal of the OEM exhaust system. This will prevent electrical accidents and will reset the computer if it applies to the vehicle. Remove existing exhaust system from the vehicle. Only remove parts that will be replaced. Clean existing flange with a wire brush to ensure proper sealing.

STEP 2:

Attach [15] Exhaust Resonator Assembly to existing isolators.

STEP 3:

Connect [13] Pipe to [15] Exhaust Resonator Assembly with [14] Clamp.

STEP 4:

Attach [10] Exhaust Resonator Assembly to existing isolators and connect to [13] Pipe with [12] Clamp and [11] Gasket.

STEP 5:

Attach [6] Front Pipe Assembly to isolator and existing exhaust with [2] Gasket and [4] Hardware.

STEP 6:

Connect [6] Front Pipe Assembly to [10] Exhaust Resonator Assembly with [9] Gasket and [8] Hardware.

STEP 7:

Connect [5] Front Pipe to [10] Exhaust Resonator Assembly with [7] Clamp and attach to existing exhaust with [1] Gasket and [3] Hardware.

STEP 8:

Tighten all clamps and bolts starting from rear of the vehicle. **(DO NOT EXCEED 30FT-LB WHEN TIGHTENING CLAMP AND CHECK ALL CLAMPS AFTER 50 MILES. RETIGHTEN IF NECESSARY).**

WARNING:

When working on, under, or around any vehicle exercise caution. Please allow the vehicle's exhaust system to cool before removal, as exhaust temperatures may cause severe burns. If working without a lift, always consult vehicle manual for correct lifting specifications. Always wear safety glasses and ensure a safe work area. Serious injury or death could occur if safety measures are not followed.



BRExhaust recommends professional installation for all products

Technical Support: 1-800-631-7271

BRExhaust — 1901 Corporate Ctr, Oceanside, CA 92056

www.brexhaust.com