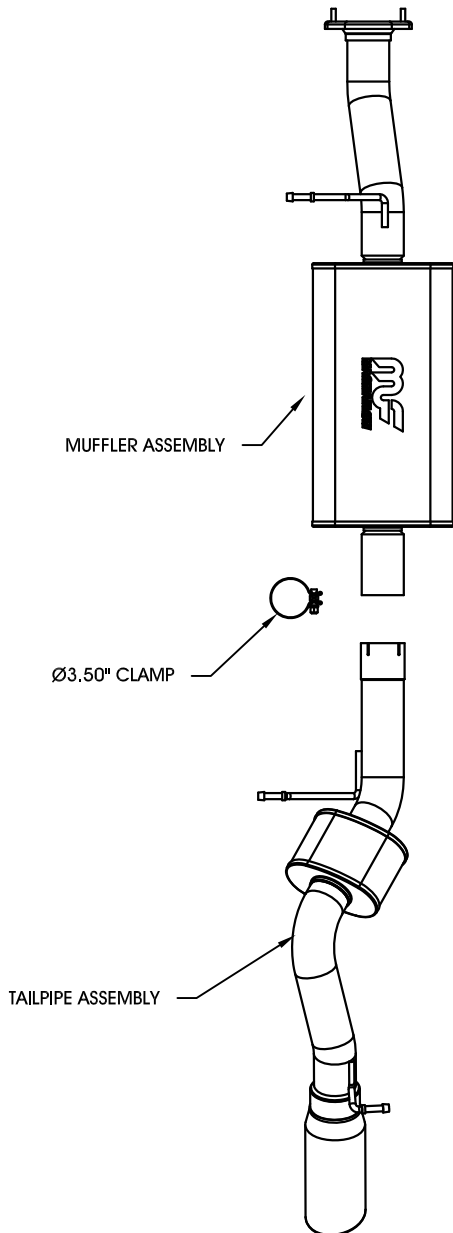


### 2007-2009 GM HUMMER H2 6.0/6.2L V8

**Warning:** When working on, under, or around any vehicle exercise caution. Please allow the vehicle's exhaust system to cool before removal, as exhaust system temperatures may cause severe burns. If working without a lift, always consult vehicle manual for correct lifting specifications. Always wear safety glasses and ensure a safe work area. Serious injury or death could occur if safety measures are not followed.



**Step 1:** (Carefully read all instructions before installation) Disconnect the vehicle's battery before removal of the OEM exhaust. This will allow the computer to reset itself with the new system, and prevent electrical accidents. To remove the OEM exhaust system, you may need to cut the tail pipe to aid in removal. Unbolt the front muffler extension pipe from the catalytic converter extension at the 2-bolt flange. Remove the exhaust from the OEM rubber insulators. Do not discard or damage the OEM rubber insulators, as they will be re-used to mount the new exhaust system.

**Step 2:** Install the new Muffler Assembly at the 2-bolt flange using the OEM fasteners and fitting the welded hanger into the rubber insulator. Leave all clamps and fasteners loose for final adjustment of the complete system. Install the Tailpipe Assembly using the supplied 3.5" clamp and by fitting the welded hangers into the OEM rubber insulators.

**Step 3:** With all components mounted loosely, adjust the system for overall aesthetics and clearance of frame & bodywork. (MAGNAFLOW recommends at least 1/2" of clearance between the exhaust system and any body panels to prevent heat-related body damage or fire.)

**Step 4:** Once a final position has been chosen for the new system, evenly tighten all fasteners from front to rear. The supplied band clamps must be VERY tight to properly align the pipes and prevent leaks (Approximately 40ft-lbs). Inspect all fasteners after 25-50 miles of operation and retighten if necessary.

\*MAGNAFLOW Performance Exhaust recommends professional installation on all their products