



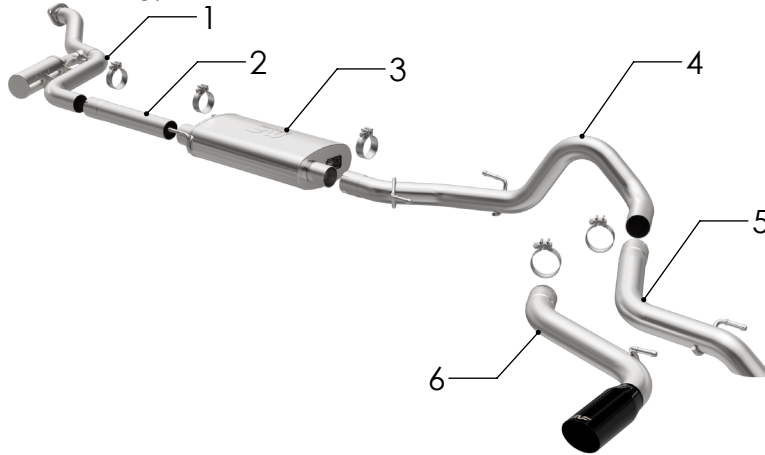
# INSTALLATION INSTRUCTIONS



TOYOTA TACOMA OVERLAND

PART NO. 19678

## BILL OF MATERIALS:



1. RESONATOR ASSY.
2. 18" EXTENSION PIPE.
3. MUFFLER ASSY.
4. OVER AXLE PIPE.
5. TURN DOWN TAILPIPE ASSY.
6. SIDE EXIT TAILPIPE ASSY.



WEAR SAFETY GLASSES



READ INSTRUCTIONS THOROUGHLY BEFORE INSTALLING PRODUCT



SPRAY LUBRICANT

To ease removal of existing exhaust components (especially on older vehicles) spray penetrating lubricant on all fasteners and hangers/insulators that will be loosened or removed and let soak before disassembly.

## SHOP SUPPLIES:

## HARDWARE KIT:

1. [5] 3.00" Torca Clamp

## MINIMUM REQUIRED TOOLS:



13mm



Hanger Tool (Or Pry Bar)

## MAGNAFLOW RECOMMENDS PROFESSIONAL INSTALLATION ON ALL THEIR PRODUCTS



**WARNING:** When working on, under, or around any vehicle exercise caution. Please allow the vehicle's exhaust system to cool before removal, as exhaust system temperatures may cause severe burns. If working without a lift always consult vehicle manual for correct lifting specifications. Always wear safety glasses and ensure a safe work area. Serious injury or death could occur if safety measures are not followed.

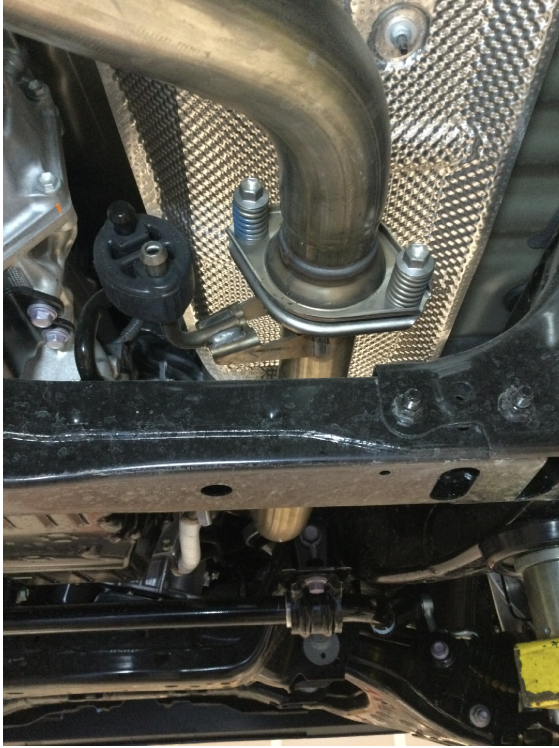
**Vehicles with deployable bed step will require modification to the system, or the bed step such as removal, to avoid heat damage**

**ATTENTION:** Always install any supplied band or U-bolt clamps to the proper torque specifications of 40-45 ft-lb for band clamps and 30-35 ft-lb for U-bolt clamps. Over tightening will result in the clamps breaking and will NOT be warranted by MagnaFlow.

**MAGNAFLOW:** 1901 Corporate Centre Dr - Oceanside, CA 92056 | 1(800)990-0905

**Technical Support:** 1(800) 959-9226 | Email: [moreinfo@magnaflow.com](mailto:moreinfo@magnaflow.com)

## INSTALLATION INSTRUCTIONS



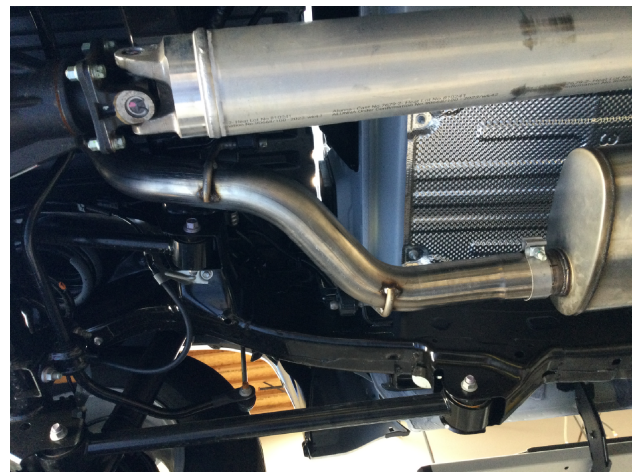
**Step 1:** To remove the OE exhaust system, remove the fasteners at the flange inlet at the front of the vehicle. Working front to rear disengage the hangers from the rubber insulators and drop the system. (Retain the Inlet fasteners, gasket and rubber insulators as they will be used to install your new system.)



**Step 2:** Begin Installation of the new MagnaFlow system by attaching Inlet Resonator Assembly using the OE fasteners and gasket. **(Leave all clamps and fasteners loose until final adjustment for fit.)**



**Step 3:** At this point if you are installing the MagnaFlow exhaust system on a Long Bed/Double cab vehicle you will need to install the 18" Extension Pipe using the supplied 3.00" clamp. (The Short Bed/Double Cab or Long Bed/Access Cab do not require this pipe). Next install the Muffler Assembly using the supplied 3.00" clamp and fit the hangers into the rubber insulators.



**Step 4:** Next, attach the Overaxle pipe to the Muffler Assembly using the supplied 3.00" clamp and fit the hangers into the rubber insulators.

## INSTALLATION INSTRUCTIONS



**Step 5:** Install the Turn Down or Side Exit Tailpipe Assembly to the Over Axle Pipe fitting the hanger into the rubber Insulator.



**Step 6:** Once a final position has been chosen for the new exhaust system, evenly tighten all clamps from front to rear using the torque specifications on page one of the instructions. Inspect all fasteners after 25-50 miles of operation and re-tighten if necessary.

**MAGNAFLOW:** 1901 Corporate Centre Dr - Oceanside, CA 92056 | 1(800)990-0905  
**Technical Support:** 1(800) 959-9226 | Email: [moreinfo@magnaflow.com](mailto:moreinfo@magnaflow.com)