

MagnaFlow 52456

INSTALLATION INSTRUCTIONS

1. THE OE EXHAUST SYSTEM WILL NEED TO BE CUT AND REMOVED TO FACILITATE INSTALLATION OF THE NEW PART.
2. REFERRING TO **FIG. 1/FIG. 2**, CUT THE OE EXHAUST AT THE POINT INDICATED (APPROX. 1.0" [25mm] FROM THE FACE OF THE HEAT EXCHANGER) AND DE-BURR.
3. REMOVE FRONT PORTION OF THE EXHAUST BY UNFASTENING THE FORWARD 2-BOLT FLANGE.
4. SLIDE THE OUTLET OF THE MAGNAFLOW CONVERTER OVER THE CUT END OF THE OE EXHAUST AND WELD IN PLACE PER **FIG. 1**

FIG 1.

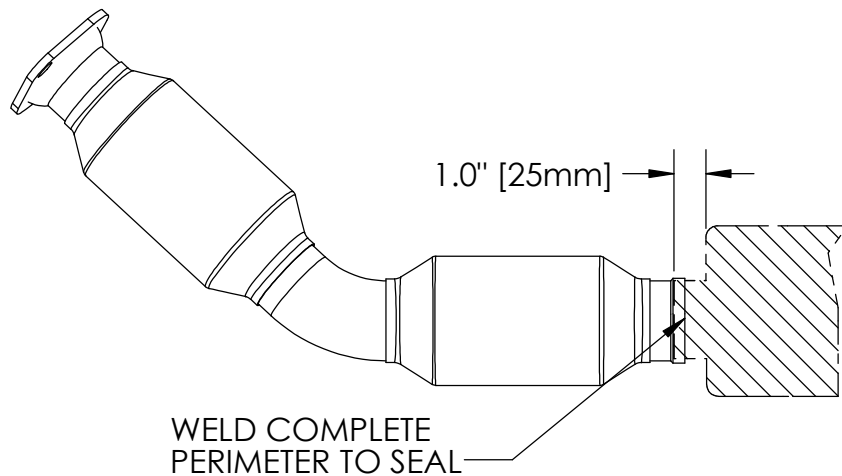


FIG 2.



MF MAGNAFLOW®